

TRUE SINGLE UNION BALL VALVES

TSU-P (pinned) SERIES

MADE IN NORTH AMERICA



Size:	1 1/2" & 2"
	PVC White
Material:	Grade 1 PVC
O-RINGS:	EPDM
Ball Seats:	Polyethylene
Pressure Rating:	150 psi
Schedule:	80 bore

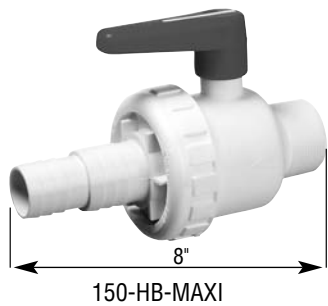
Also available in metric

Spare pin serves as a tool for valve servicing/repair (remove from handle to assist in pin removal when servicing valve seat)



- Praher's unique pinned true single union ball valve design provides for:
- user friendly handle operation - union nut load does not transfer onto ball seat, thereby providing user with easy handle operation even if valve not operated for a long period of time.
 - "below grade - blocked seat flooded suction design" - valve seat will not blow out from static pressure if union nut removed.

150-015



150-HB-MAXI



200-016

"BLOCKED" SINGLE UNION BALL VALVE

Allows disconnection of lines without fear of retainer-ring or ball moving. Retainer-ring is locked with two pins in the body.

SIZE	MODEL #	DESCRIPTION	LIST PRICE	QTY. PT.
1 1/2"	150-0100	S.U. BL. B.V. SKT/SKT	\$20.50	100
1 1/2"	150-010	S.U. BL. B.V. SKT/SKT	\$24.00	25
1 1/2"	150-011	S.U. BL. B.V. SKT/FIP	\$29.0	25
1 1/2"	150-015	S.U. BL. B.V. MIP/FIP	\$29.05	30
1 1/2"	150-052	S.U. B.L. B.V. SKT/MIP	\$29.05	18
1 1/2"	150-016	S.U. BL. B.V. MIP/SKT	\$28.20	18
1 1/2"	150-HB MAXI	S.U. BL. B.V. MIP/DUAL HOSE - FULL SIZE	\$29.05	20
1 1/2"	150-0155	S.U. BL. B.V. MIP X MIP	\$29.05	20
1 1/2"	150-111	SU BL. B.V. FIP/FIP	\$30.41	25
2"	200-0100	S.U. B.L. B.V. SKT/SKT	\$30.00	100
2"	200-010	S.U. BL. B.V. SKT/SKT	\$33.33	17
2"	200-011	S.U. BL. B.V. SKT/FIP	\$39.74	17
2"	200-111	S.U. BL.B.V. FIP/FIP	\$43.81	17
2"	200-016	S.U. BL. B.V. MIP/SKT	\$38.58	17

NOTE: VISIT www.nsf.org FOR UPDATED LISTINGS