

ECONOMY TRUE UNION BALL VALVES S5 & S6 SERIES

MADE IN
NORTH AMERICA



PRODUCTS

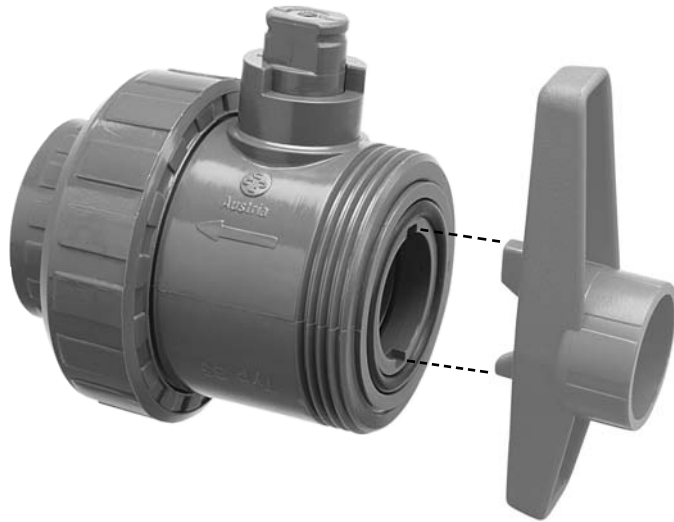
S5

Size:	2 1/2" to 4"
Material:	Grade 1 PVC
O-RINGS:	EPDM
Ball Seats:	Polyethylene
Pressure Rating:	150 P.S.I (2 1/2" to 4")
Adjustable Ball seat pressure (Safe Block)	

S6

Size:	1/2" to 2"
Material:	Grade 1 PVC
O-RINGS:	EPDM
Ball Seats:	Polyethylene
Pressure Rating:	232 P.S.I
Adjustable Ball seat pressure (Safe Block)	

NEW



FEATURE:

- Handle can be used as tool to adjust threaded seal carrier.

WATER APPLICATION

SKT X SKT				FIP X FIP		
SIZE	MODEL #	CODE #	LIST PRICE	MODEL #	LIST PRICE	QTY./CARTON
1/2"	BV6-0501PES	128232	\$19.00	BV6-0501PET	\$31.04	12
3/4"	BV6-0751PES	128233	\$20.00	BV6-0751PET	\$32.77	10
1"	BV6-1001PES	128234	\$25.00	BV6-1001PET	\$44.20	10
1 1/4"	BV6-1251PES	128235	\$36.00	BV6-1251PET	\$47.17	10
1 1/2"	BV6-1501PES	125472	\$36.00	BV6-1501PET	\$58.60	20
2"	BV6-2001PES	125473	\$47.00	BV6-2001PET	\$73.51	16
2 1/2"	12-0135	122147	\$170.00	12-0136	\$204.37	4
3"	12-0262	122886	\$235.00	12-0264	\$324.04	1
*4"	12-0400	122887	\$350.00	12-0401	N.A.	1

* 3" valve with 4" molded sockets

NOTE: PLEASE ORDER BY MODEL # ONLY