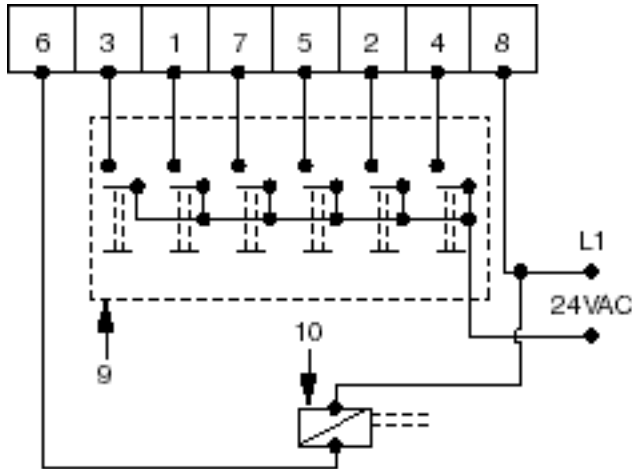


MULTIPOSITION MP-SUPERSTAR



6. Pump relay control contact
3. Backwash position
1. Valve closed (no flow through inlet port)
7. Recirculation (bypass of filter)
5. Drain (to drain pool)
2. Filter (filter water)
4. Rinse position
8. L1, power supply (furnished by others)
9. PLC signals or relays (furnished by others)
10. Magnetic coil of pump motor starter (furnished by others)

Wiring schematics:

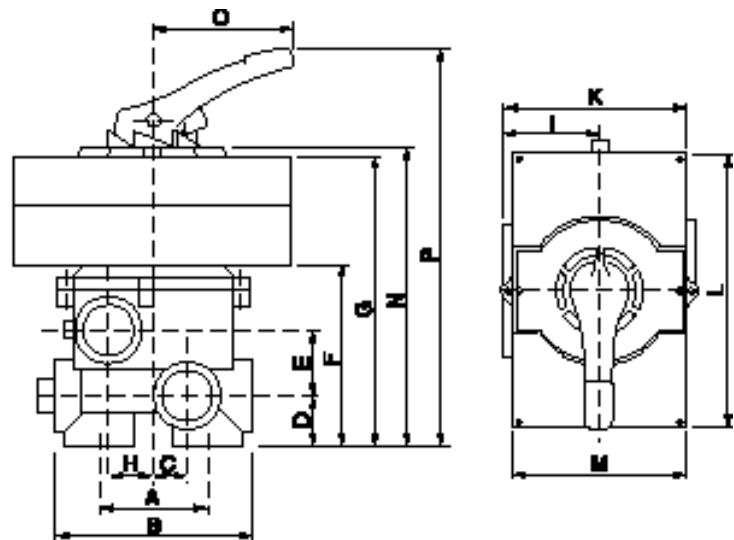
Terminal strip on circuit board:

Note: Only one of six position circuits (3, 1, 7, 5, 2 and 4) can be closed at a time.

POWER SUPPLY	24 VAC, (25 VA - 1.5" AND 2", 50 VA - 3")
Flow rates	1.5" (70 GPM), 2" (120 GPM), 3" (280 U.S. GPM max.)
Max. Valve operating pressure	50 psi

SIDE MOUNTED VALVES

	1.5" inch	2" inch	3" inch
A	3.4	4.33	6.69
B	7.16	8.98	13.0
C	1.26	1.5	1.97
D	1.85	2.36	3.37
E	2.36	3.19	4.33
F	6.46	8.27	12.0
G	10.63	12.28	17.16
H	1.5	1.34	1.97
I	3.44	4.53	6.5
K	6.89	9.05	13.0
L	10.04	9.84	9.84
M	6.3	6.3	6.3
N	11.02	12.68	
O max.	5.31	5.31	
P max.	14.88	16.53	
weight.	13 lbs.	14 lbs.	24 lbs.



Also available are 1 1/2" and 2" top mounted valves.