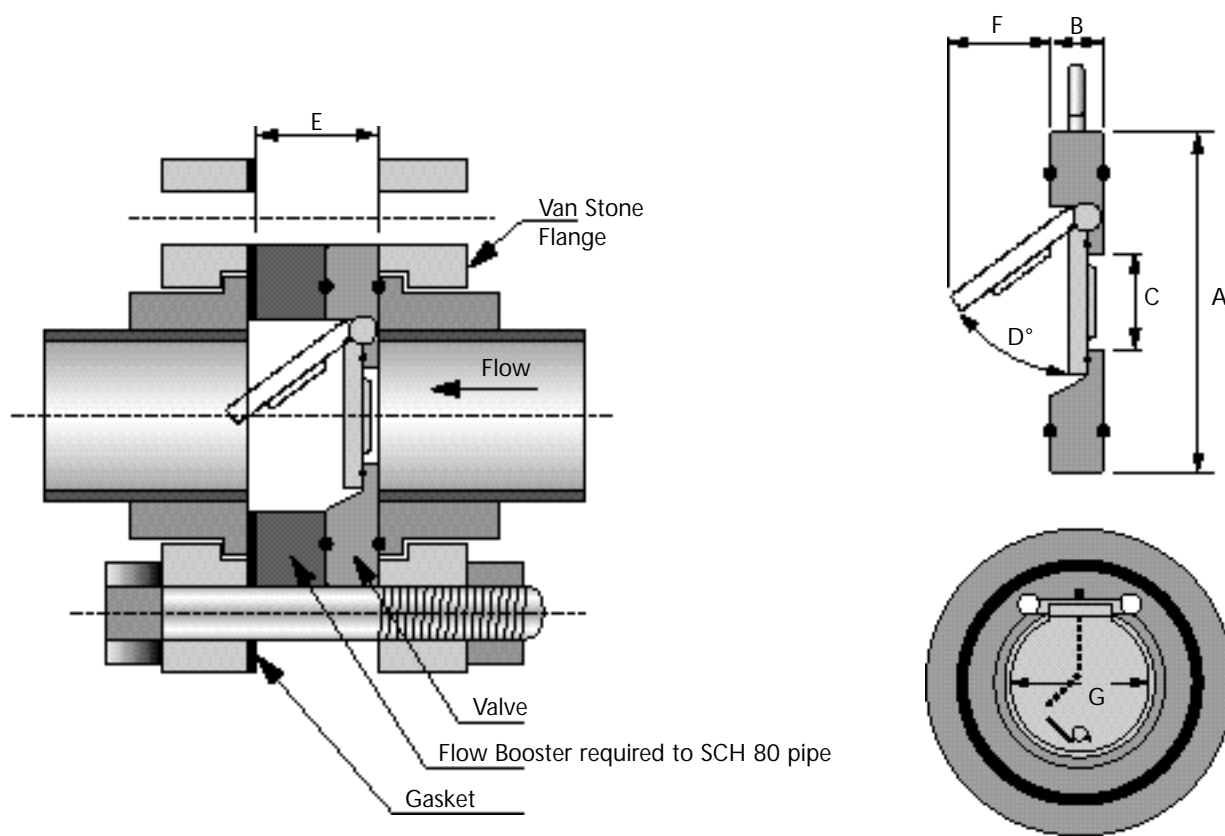


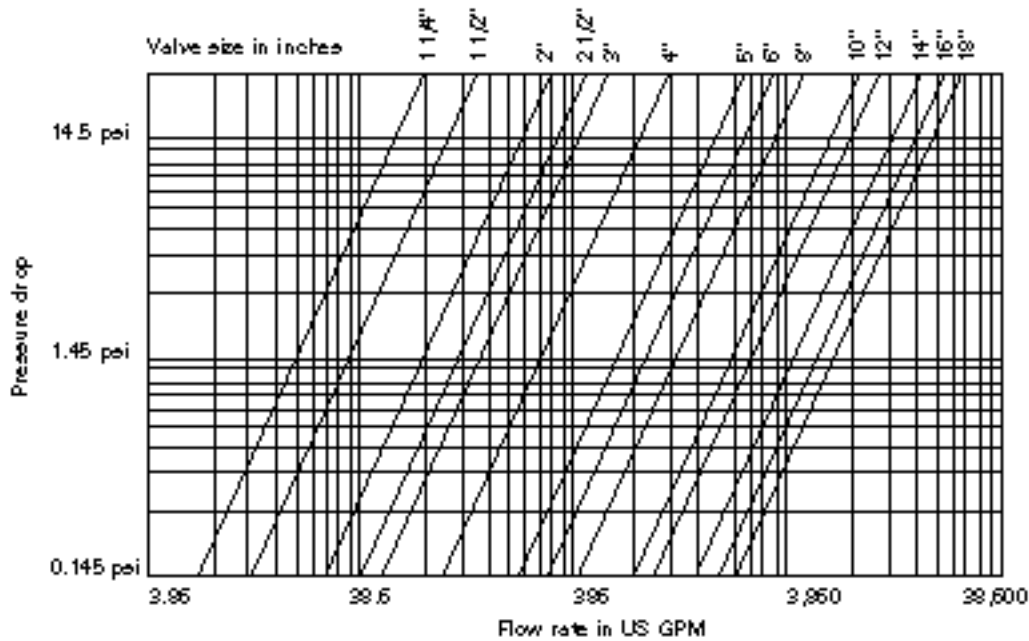
WAFER CHECK VALVES TECHNICAL DATA



pipe size	inch	2	2 1/2	3	4	6	8	10	12	
pipe size DN	mm	50	65	80	100	150	200	250	300	
A	mm	109	123	137	164	220	275	330	380	
B	mm	20	20	20	22	26	35	40	45	
C	mm	32	40	52	70	112	150	190	216	
D° opening angle	deg	68	73	75	73	72	77	73	74	
E	mm	46	58	60	72	76	105			
F (with spring)	mm	1.8	2.0	2.9	3.6	5.8	7.5	9.0	10.2	
G (disc diameter)	mm	45	60	72	90	132	176	222	260	
Pressure	4 60 †	m bar*	14.3	12.3	12.0	10	12.5	18.8	17.3	21.0
to	4 60 →	m bar*	1,5	1,2	1,0	1,0	1,0	1,2	1,0	1,2
Open	4 70 →	m bar*	20	20	20	20	20	20	20	20
Max. Operating Pressure PN	bar	10	10	10	10	10	10	10	10	
Pressure rating	PSI	145	145	145	145	145	145	145	145	

Note: Divide mm dimension by 25.4 to convert into inches

WAFER CHECK VALVES TECHNICAL DATA



HEAD LOSS DIAGRAM
(IN SCH. 40 PIPE W/O BOOSTER RING)

MOUNTING INSTRUCTIONS

In case of mounting on a pump (at pressure side) please note the following:

- no direct mounting on pump flange or following bend
- for velocity relief zone allow 5 times the pipe diameter

NOTE:

For pulsating flow we recommend check valves type S 4 70 rather than type S 4 60.