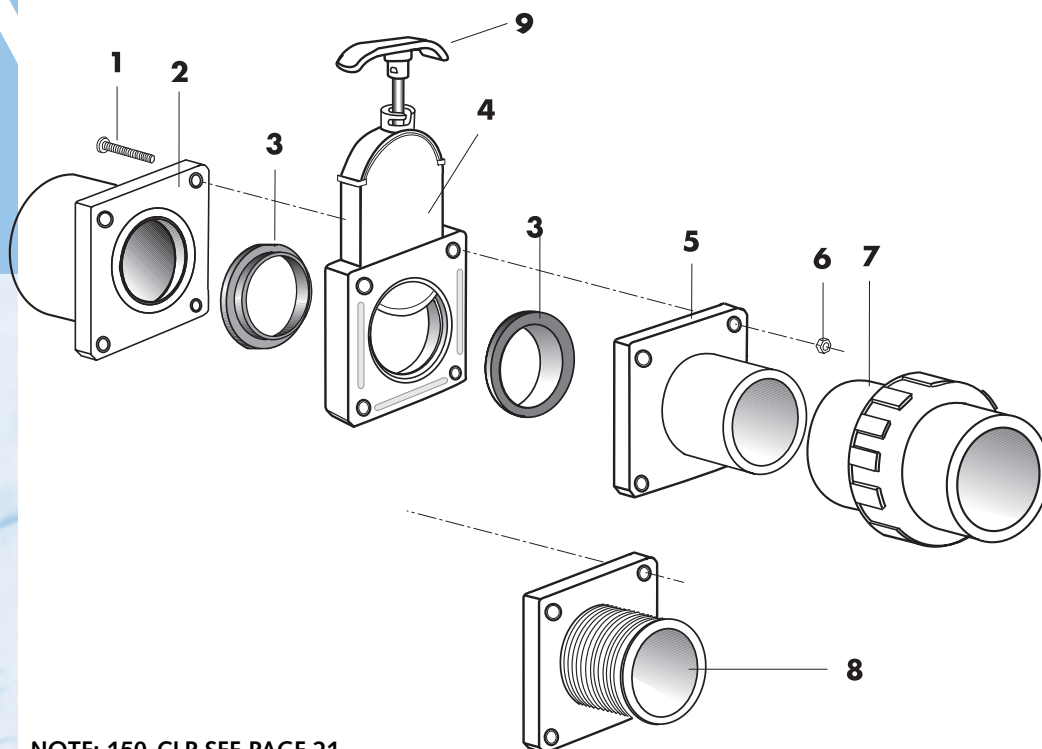


# PARTS - PVC GATE VALVES



NOTE: 150-CLP SEE PAGE 21

POS.	DESCRIPTION	1 1/2"		2"	
		PART #	LIST PRICE	PART #	LIST PRICE
1	BOLT (SET OF 4)	150-G1	\$3.48	200-G1	\$3.48
2	PVC-SOCKET END	150-G2	\$2.60	200-G2	\$3.12
3	GASKET (SET OF 2)	150-G3	\$3.48	200-G3	\$4.10
4	BODY ASSEMBLY	150-BA	\$13.88	200-BA	\$13.88
5	SPIGOT END PVC	150-G5	\$2.70	200-G5	\$3.28
6	LOCKNUT (SET OF 4)	150-G6	\$0.70	150-G6	\$0.70
7	DISCONNECT UNION <small>PVC-SOCKET X SOCKET</small>	150-UNKT	\$8.00	200-100	\$12.63
8	MPT-END PVC	150-G8	\$2.70	N/A	N/A
9	VALVE HANDLE ABS	150-G9	\$3.47	200-G9	\$3.47

POS.	DESCRIPTION	3"		4"	
		PART #	LIST PRICE	PART #	LIST PRICE
1	BOLT 5 1/16" X 2	300-G1	\$5.00	300-G1	\$5.00
1.1	SELFTAPING SCREW	300-G1.1	\$2.00	300-G1.1	\$2.00
2	PVC-SOCKET END-ASTM	300-G2	\$41.66	400-G2	\$41.66
2.1	PVC-SOCKET END-METRIC	300-G2.1	\$41.66	400-G2.1	\$41.66
3	T.PEGASKET	300-G3	\$17.36	300-G3	\$17.36
4	BODY ASSEMBLY INCL. HANDLE	300-G4	\$69.44	300-G4	\$69.44
5	NOT AVAILABLE				
6	5/16" S.S HEXNUT	300-G6	\$3.47	300-G6	\$3.47
7	NOT AVAILABLE				
8	NOT AVAILABLE				
9	VALVE HANDLE	300-G9	\$13.89	300-G9	\$13.89