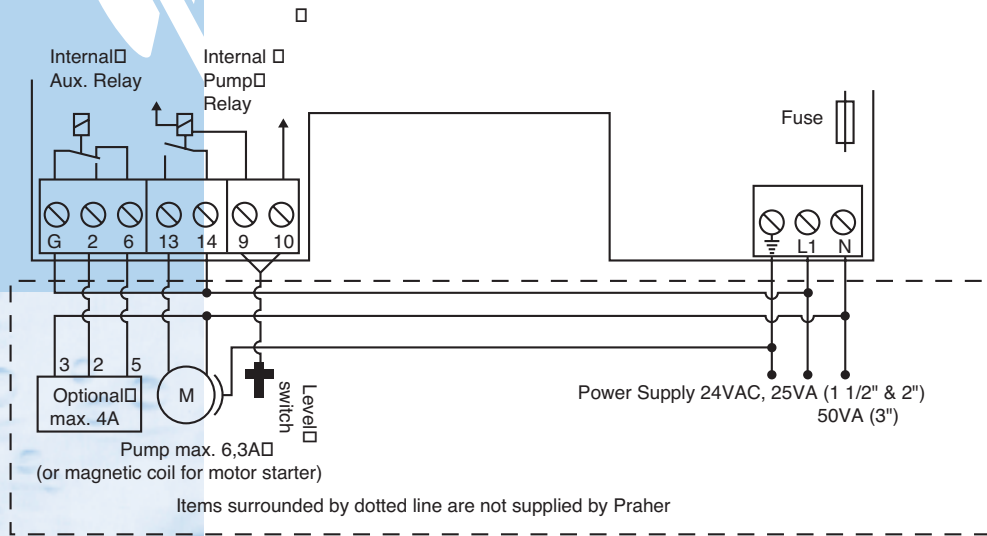


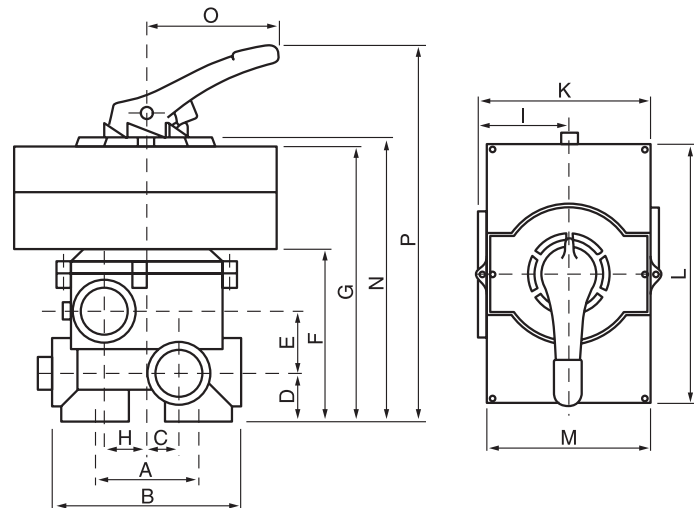
# SUPERSTAR E-6000/F (1 1/2" & 2")



|  |  |
|--|--|
| Power supply   | 24 VAC, 50 or 60Hz   |
| Pump control relay (Terminal 13 & 14)                  | max. 6.3 Amp.  |
| Ball valve auxiliary relay (Term. G, 2, & 6)           | max. 4 Amp.  |
| <b>Available with the following pressure switches:</b> |  |
| MSPS-FF-100SS  | range: 0.69 - 6.9 bar (10 psi - 100 psi)                       |
| MSPS-FF-15SS   | range: 0.10 - 1.0 bar (1.45 psi - 14.5 psi)                    |
| Enclosure  | IP 54  |
| Valve size   | 1 1/2" (70 GPM), 2" (120 GPM)                                  |
| Backwash time  | adjustable with built in potentiometer: 1 min. - 11 min.       |
| Rinse time   | adjustable with built in potentiometer: 20 sec.-4 min. 20 sec. |
| Delayed pump cut in                                    | 20 sec.  |
| Pump and Backwash timer                                | "Graesslin" 2 channel digital timer with battery backup        |
| Max. Valve operating pressure                          | 50 psi   |
| Fireman cycle delay time                               | adjustable with built in potentiometer: 25 sec. - 25 min.      |

## SIDE MOUNTED VALVES

|         | 1 1/2"  | 2"      |
|---------|---------|---------|
|         | inch    | inch    |
| A       | 3.4     | 4.33    |
| B       | 7.16    | 8.98    |
| C       | 1.26    | 1.5     |
| D       | 1.85    | 2.36    |
| E       | 2.36    | 3.19    |
| F       | 6.46    | 8.27    |
| G       | 10.63   | 12.28   |
| H       | 1.5     | 1.34    |
| I       | 3.44    | 4.53    |
| K       | 6.89    | 9.05    |
| L       | 10.04   | 9.84    |
| M       | 6.3     | 6.3     |
| N       | 11.02   | 12.68   |
| O max.  | 5.31    | 5.31    |
| P max.  | 14.88   | 16.53   |
| weight. | 13 lbs. | 14 lbs. |



Also available are 1 1/2" and 2" top mounted valves.